

SUCTION FEED CUPS

DEVILBISS®



TGC® & TLC® SUCTION FEED CUPS

- **Improves productivity**
Patented, preferred drip-free design has two-position valve which allows operation as a "drip-free" or conventional suction cup

"One-Quart Plus" capacity – holds 37 ounces for fewer refills

- **Easy to clean**
Wide cup opening

Internal rivets are flush with inside of cup

Smooth lid

IMPROVED! Smooth cup edge

Teflon® coated (TLC-555)

- **Durable**
Cup made of strong, hardened aluminum

Tri-Seal® lid gasket and flat cup edge for long, leak-free life

IMPROVED! Fiberglass-reinforced composite cam lock for easy, positive tightening

Strong, stainless steel rivets do not bend when lid is tightened

- **120011 (TGC-545)** – Standard smooth aluminum surface for fast cleaning

- **120012 (TLC-555)** – Easy to clean Teflon® lining



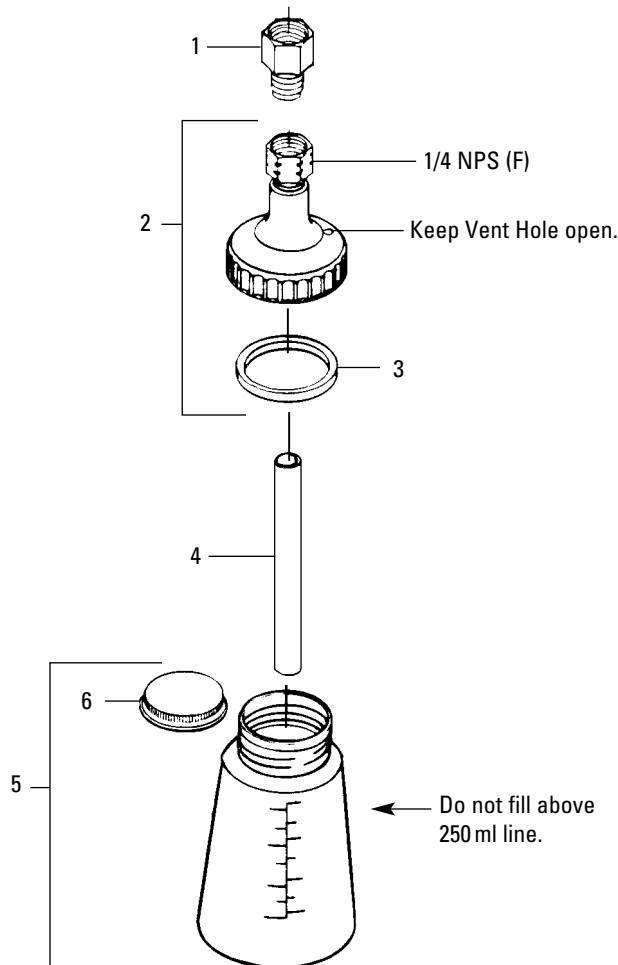
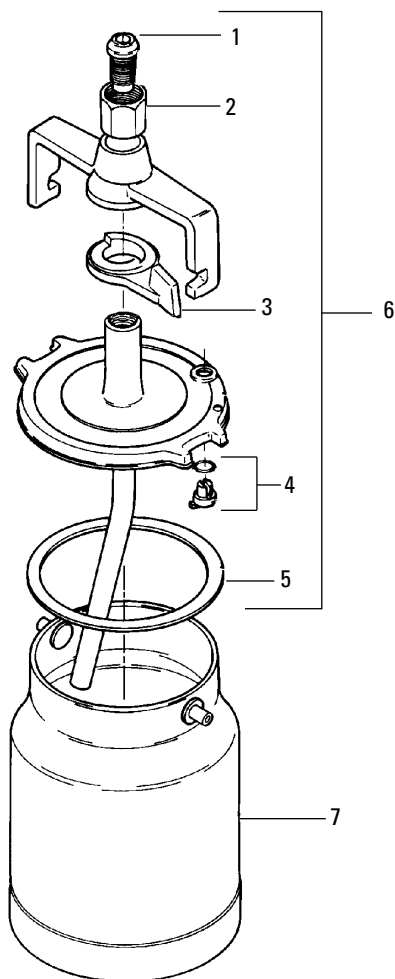
TGS™ DETAIL SUCTION CUP

- **Durable, white polyethylene cup** can be used with most solvents, including acetone and MEK
- **8-oz. capacity**
- **Convenient** – Paint level is visible while spraying
- **Easy mixing** – Molded graduations
- **For use with EGA or EGHV spray guns** or any suction feed spray gun with 1/4" NPS threads
- **120038 (TGS-503)** – 8-oz. polyethylene suction cup

Cups Suction Feed

120012 (TLC-555), 120011 (TGC-545)

120038 (TGS-503)



Ref. No.	Order No.	Model No.	Description	Ind.Parts Required
*1	—	—	Adapter, 1/2" NPS (M)	1
*2	—	—	Nut, 3/8" NPS (F)	1
*3	—	—	Cam	1
*4	190924	TGC-407-1-K3	Drip Free Valve & Gasket (Kit of 3)	1
*5	190391	TGC-9-K5	**Tri Seal® Lid Gasket (Kit of 5)	1
6	190381	TGC-404	Lid Assembly (Quart)	1
7	190221	KR-428-2	Suction Cup Assembly (Quart)	1
	190395	TLC-401	Suction Cup Assembly (Teflon®, Quart)	1

Ref. No.	Order No.	Model No.	Description	Ind.Parts Required
1	240003	AD-404	Adapter – Accessory 1/4" NPS(M)x 3/8" NPS(F)	1
*2	190514	TGS-401	Lid Assembly	1
3	190512	TGS-4-K5	Gasket (Kit of 5)	1
4	190513	TGS-6-K5	Fluid Tube 4" (Kit of 5)	1
+5	120037	TGS-406	Cup and Cover Assembly (Polyethylene)	1
6	190567	C-422	Cup Lid	1

***NOTE: Repair Kit 190925 (KK-5007)**
Cup Repair Kit for TGC, TLC Cups.
Consists of:

Ref. No.	Description	Qty.
1	Adapter, 1/2" NPS (M)	1
2	Nut, 3/8" NPS (F)	1
3	Cam	1
4	Drip Free Valve & Gasket	1
5	**Tri-Seal® Lid Gasket	1

* 190925 (KK-5007) Repair Kit includes #'s 1-5.
Repair kit contains enough parts to repair one complete assembly (see parts list).

Suffixes: Suffix -K3 designates a kit of multiple parts. Example: TGC-407-1-K3 is a kit of 3 drip free valves.

**Registered Trademark of Tri-Seal International.

• This lid assy. can be used along with AD-404 (1) adapter for use with JGA, JGHV, GTI, MBC or other guns with a 3/8" NPS(M) fluid inlet. The EGA and EGHV guns use this lid assy. without the adapter.

+ One C-422 (6) cup lid is included.

DEVILBISS®

ITW Automotive Refinishing
An Illinois Tool Works Company
1724 Indian Wood Circle, Suite J-K
Maumee, OH 43537-4048
Telephone 419-891-8100
Fax 419-891-8110
www.devilbiss.com

